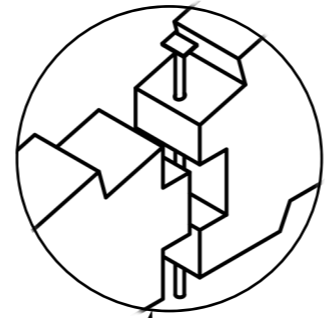
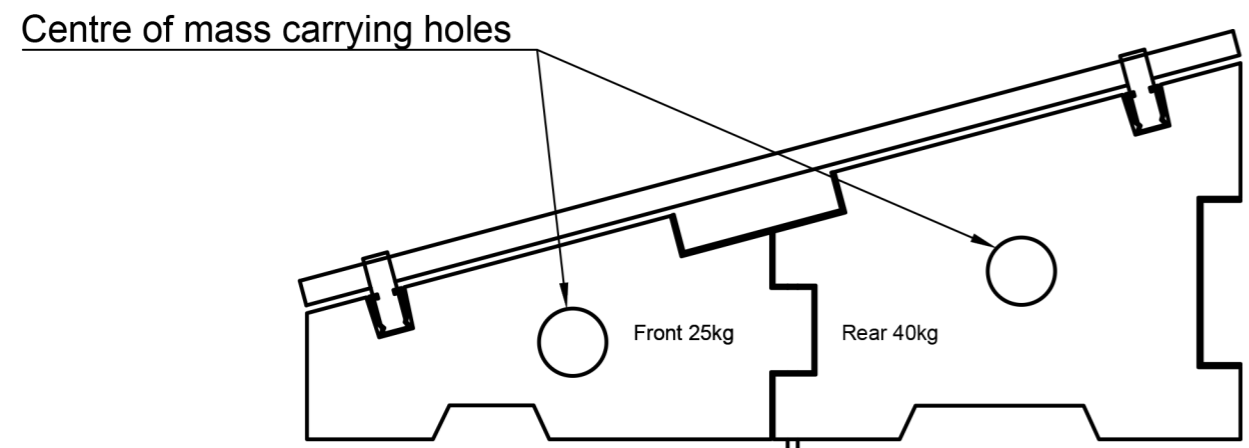



With a combined weight of 65kg the Eco Mount can be placed at any required intervals for varying panel size, including direct contact effectively doubling the weight at a single point.

The Eco Mount is set at the optimal 15 degrees and can be laid in multiple directions to capitalise on the available real estate.



Locking Stake
Insetred from the top, the stake locks both front and rear parts of the mount together, securing them to the ground

Dept.	Technical reference	Created by Mathew Card	Approved by
		Document type System Drawing	Document status
		Title Eco Mount	DWG No.
Rev.	Date of issue 15/08/2023	Sheet 1/1	